

GATE FITTINGS



LP 1



LP 2

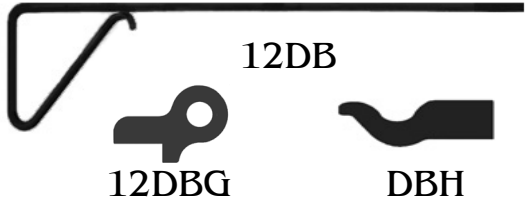


LP 3

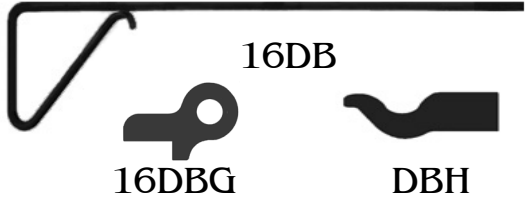


LP 4

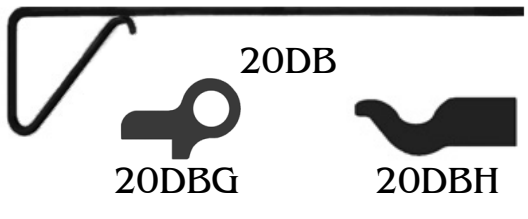
12mm Drop Bar Set: 12DBS



16mm Drop Bar Set: 16DBS



16mm Drop Bar Set: 20DBS



Latch Set Small: LSS



Latch 3

OR



Latch 4

+



Catch 5



Latch 6

Combo 3,5,6 or 4,5,6

Latch Set Large: LSL



Latch 7



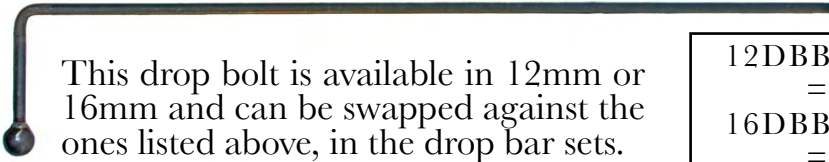
Catch 8

**Combo
7,8,9**



Latch 9

Product code DBB - Drop bar with ball



This drop bolt is available in 12mm or 16mm and can be swapped against the ones listed above, in the drop bar sets.

12DBB (12mm)

= £

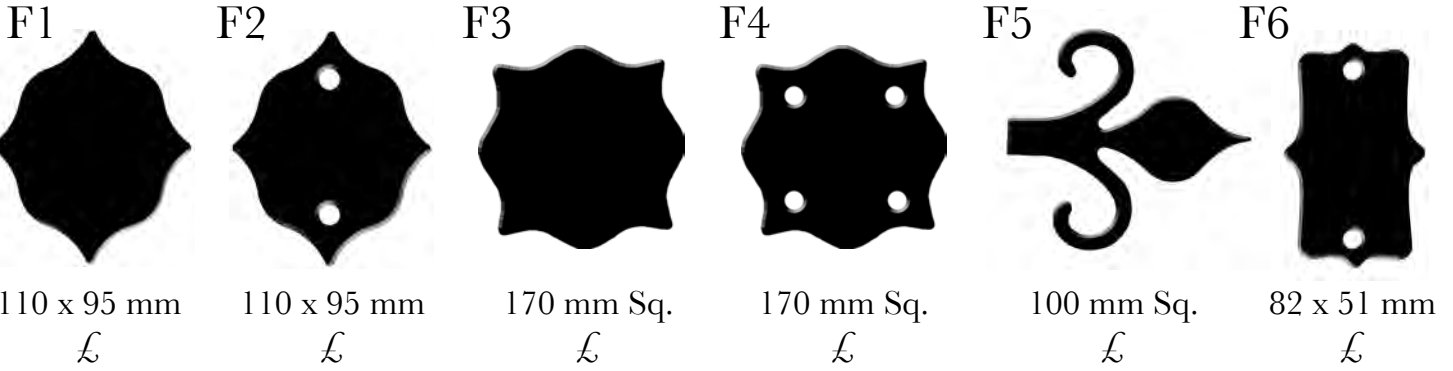
16DBB (16mm)

= £

Part No.	Size (H x L x T) mm	Price
LP 1 / LP 2	275 x 160 x 3 mm (Forged)	
LP 3 / LP 4	285 x 145 x 5 mm (Cast)	
Latch 3	37 x 165 x 10 mm Hole	
Latch 4	37 x 140 x 10 mm Hole	
Catch 5	27 x 60 x 6 mm	
Latch 6	23 x 90 x 6 mm	
Latch 7	50 x 300 x 10 mm	
Catch 8	27 x 60 x 8 mm	
Latch 9	23 x 100 x 8 mm	
12 Drop Bar	600 x 140 x 12 mm	
16 Drop Bar	600 x 150 x 16 mm	
20 Drop Bar	600 x 160 x 20 mm	
12 DBG/16 DBG	40 x 60 x 6 mm	
20 DBG	50 x 70 x 6 mm	
DBH	25 x 65 x 6 mm	
20 DBH	35 x 70 x 6 mm	

Kit Code	Price
LSS - Small latch set (Lat3 or Lat4 + Cat5 + Lat6)	
LSL - Large latch set (Lat7 + Cat8 + Lat9)	
12DBS - 12mm DB set (12DB + DBH + 2x12DBG)	
16DBS - 16mm DB set (16DB + DBH + 2x16DBG)	
20DBS - 20mm DB set (20DB + 20DBH + 2x20DBG)	
12DBBS - 12mm DBB set (12DBB + DBH + 2x12DBG)	
16DBBS - 16mm DBB set (16DBB + DBH + 2x16DBG)	

Fixing Plates



Fish-Tailed Wallplates

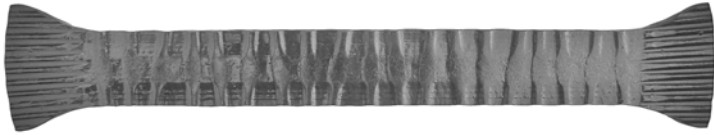
Wallp1 - Plain



Wallp2 - Edge-Hammered



Wallp3 - Wavy Pattern



Wallp4 - Floral Design

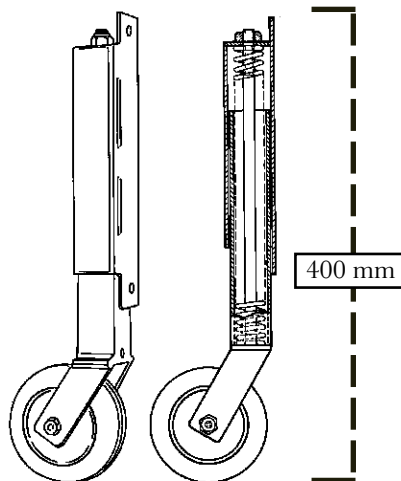


Size : 40mm x 8mm Flat Material Price : £ per wall plate

Gate Jockey Wheel

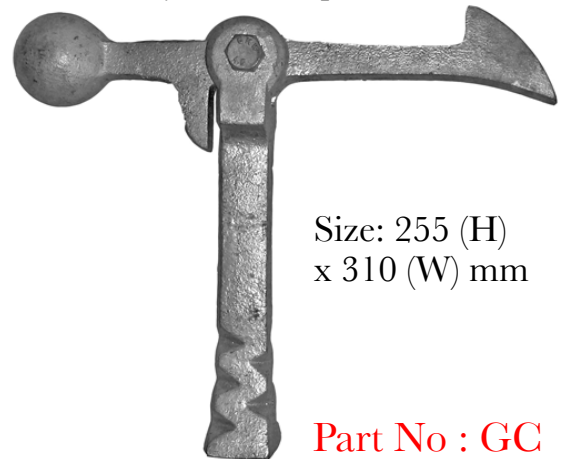
The model 202 jockey wheel has a load rating of 70 kg and a vertical travel of 50 mm. The fully galvanised steel body is fitted with a 100 mm solid rubber tyre. For safety purposes, the spring is totally enclosed.

Part No : JW
Price : £



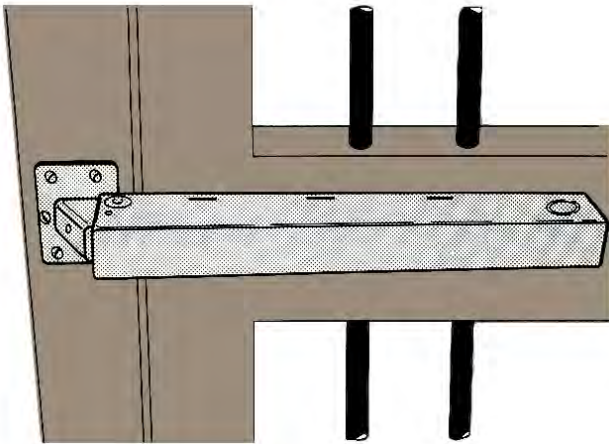
Gravity Catch

Gravity Gate Stop & Catch:



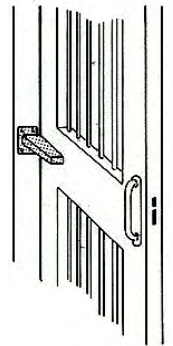
Size: 255 (H)
x 310 (W) mm

Part No : GC
Price : £



GC 2000 GATE CLOSER:

The new GC 2000 hydraulic gate closer is designed for self closing personnel gates up to 1000 mm wide and 50 kg in weight. The closer has 2 speeds for closing and latching also a "hold open" facility. The casing is steel powder coated black. It may be necessary for the installer to fabricate mounting brackets to ensure the correct operation of the closer.



Part No.: GC 2000
Price: £

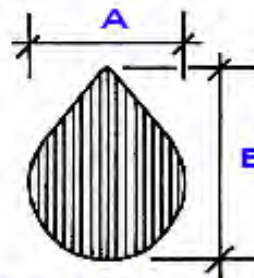
Max gate weight: 50 kgs
Max gate width: 1000 mm

Above:
Gate shown in open position.

Teardrop Hinges



TOP VIEW



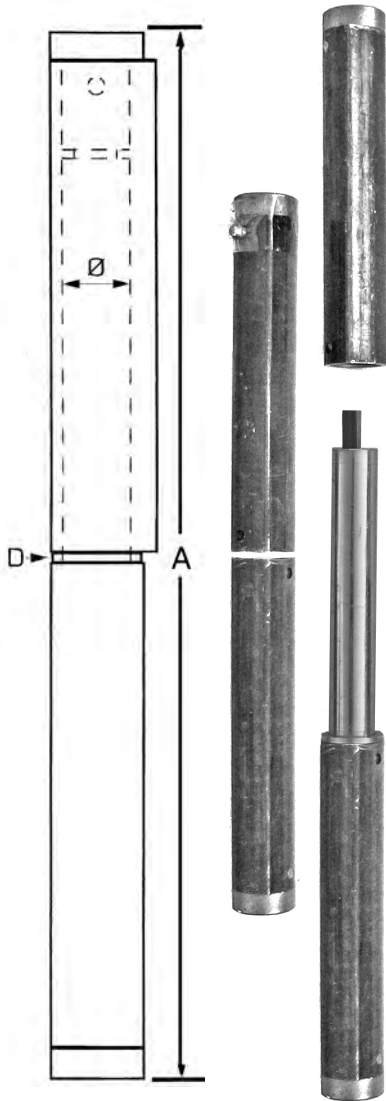
CROSS SECTION

Teardrop Hinges (TDH)



Part No.	Size			Price (Each)
	Height	Cross Section AxB	Pin Dia	
TDH60	60 mm	10 x 12.5 mm	5.5 mm	
TDH80	80 mm	13 x 16 mm	7 mm	
TDH100	100 mm	16 x 20 mm	9 mm	
TDH140	140 mm	20 x 25 mm	11 mm	
TDH180	180 mm	23 x 29 mm	14 mm	

PRODUCT CODE	DESCRIPTION	PRICE
Kit 551/100/176	2 spring units + 2 hinges. For doors upto 100kg/1200mm wide	
Kit 551/60/176	1 spring unit + 2 hinges. For doors upto 60kg/1000mm wide	

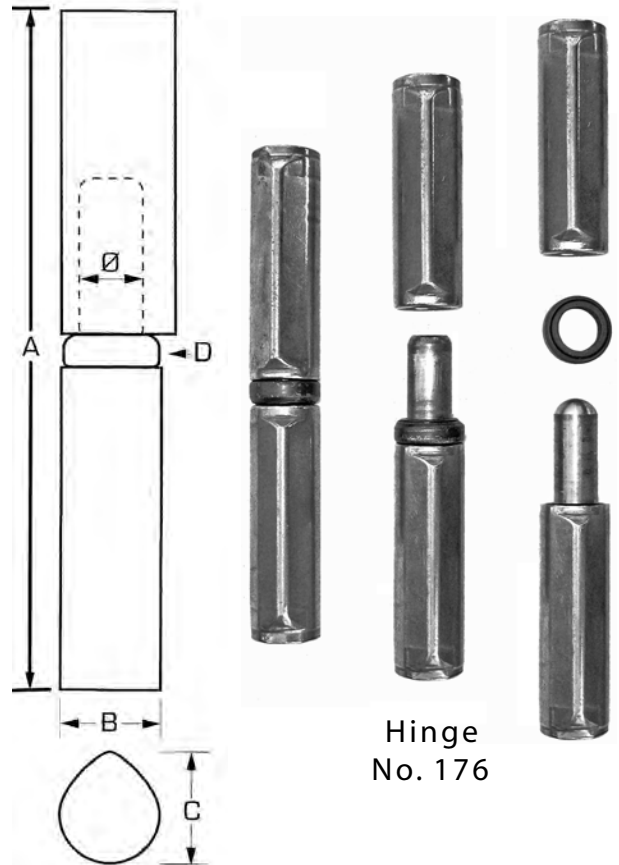


Spring Unit
No. 551

Measurement (in mm)					
SPEC	A	B	C	D	Ø
Spring	250	22	25	2	16
Hinge	150	22	25	7	14

This system is for single action, self-closing, steel doors. Both the spring unit and hinges are weld fixed to the door and frame. The spring unit has an adjustable strength spring whilst the hinges have brass pins and ball bearing washers.

We recommend that door stops are fitted to stop the door passing through 105°. Also, the door must swing freely on the hinges if the spring unit is to work efficiently. The hardware can be fitted to doors of either hand.



Hinge
No. 176

